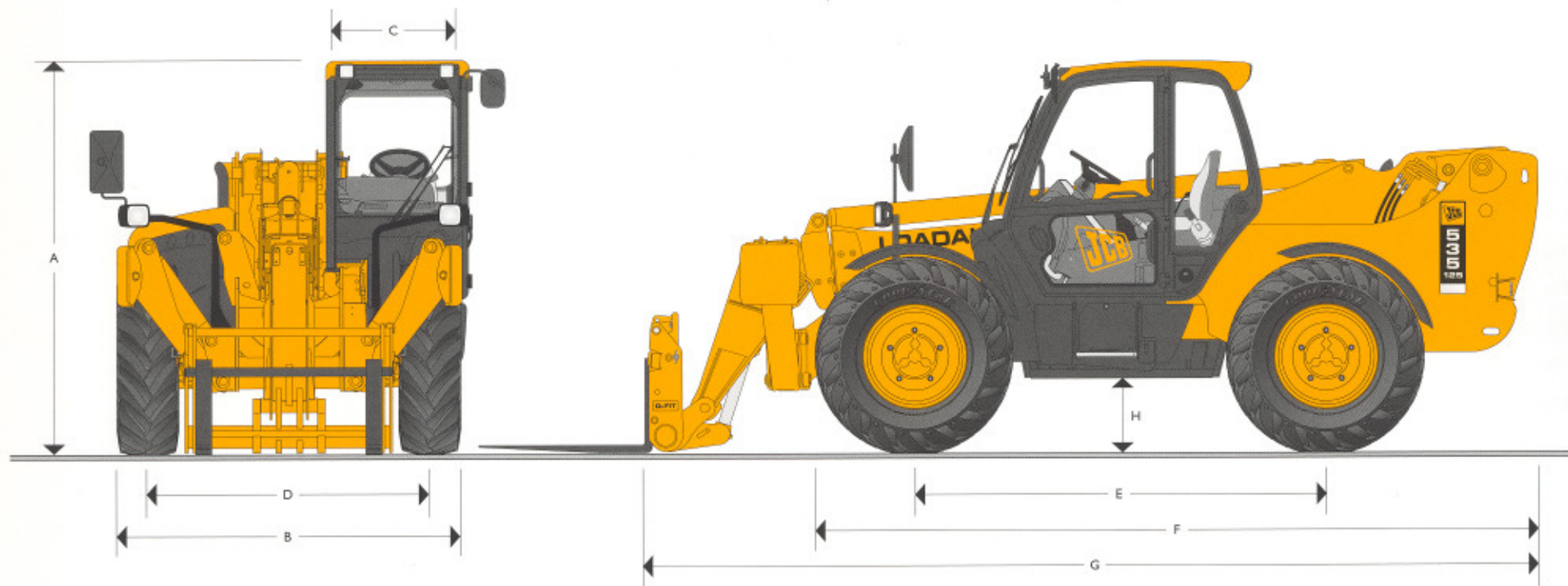




JCB LOADALL | 535-125



MAX. PAYLOAD: 3.5 tonnes (7716lb)
 MAX. LIFT HEIGHT: 12.3 metres (40ft 4in)



STATIC DIMENSIONS

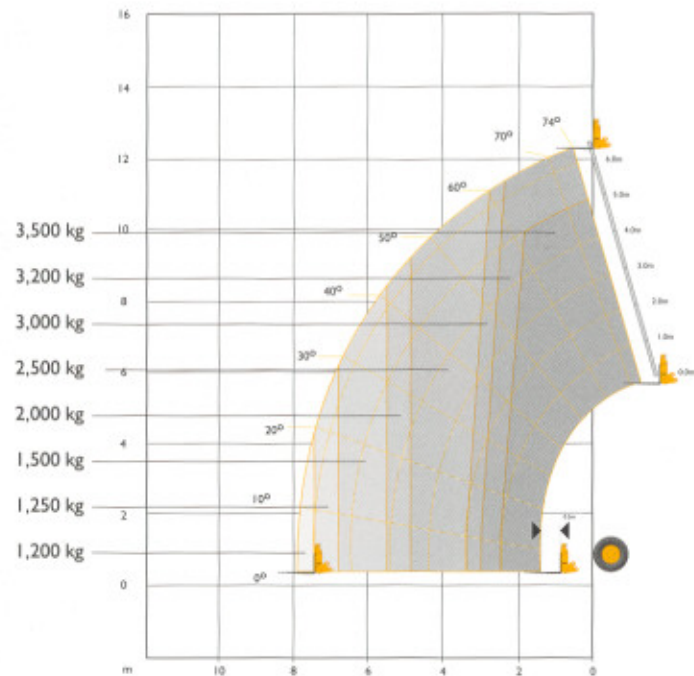
Machine model	535-125
	m (ft-in)
A Overall height	2.59 (8-6)
B Overall width (over tyres)*	2.35 (7-9)
C Inside width of cab	0.94 (3-3)
D Front track	1.90 (6-3)
E Wheelbase	2.75 (9-0)
F Overall length to front tyres	4.83 (15-10)

Machine model	535-125
	m (ft-in)
G Overall length to front carriage	5.84 (19-2)
H Ground clearance	0.40 (1-4)
Outside turn radius (over tyres)	4.0 (13-2)
Weight	9140 (20150)
Tyres	15.5/80-24

*Dependant upon tyre specified.

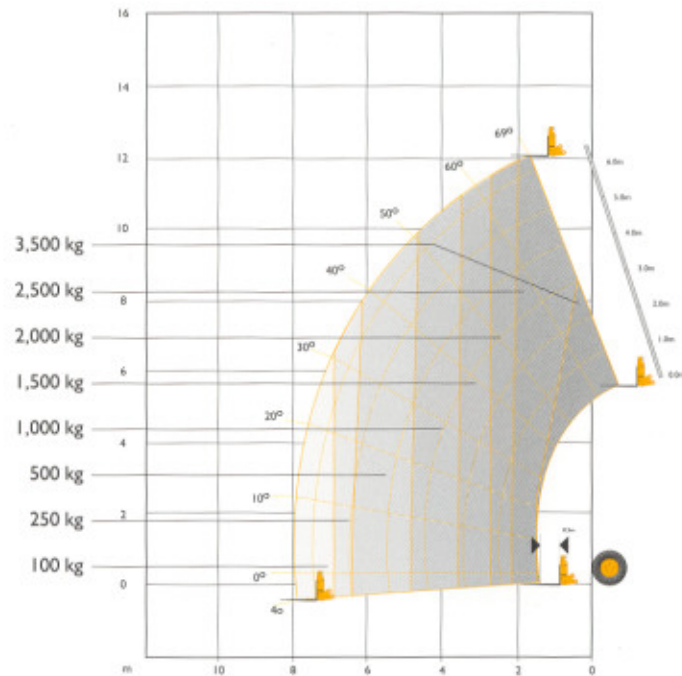


LIFT PERFORMANCE – STABILISERS EXTENDED



LIFT PERFORMANCE – STABILISERS EXTENDED

LIFT PERFORMANCE – STABILISERS RETRACTED



Chassis Levelling (Sway)
With stabilisers retracted (Sway angle $\pm 9^\circ$)

LIFT PERFORMANCE – STABILISERS RETRACTED